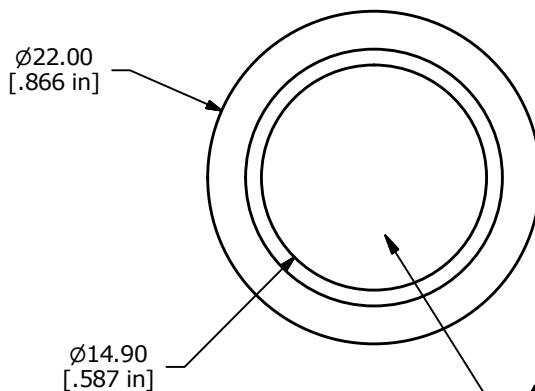


PANEL MOUNTING
MAX. PANEL THICKNESS 8.0mm

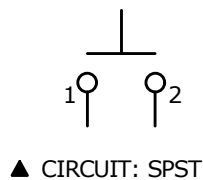


▲ RAISED FLAT ACTUATOR
POLISHED STAINLESS STEEL

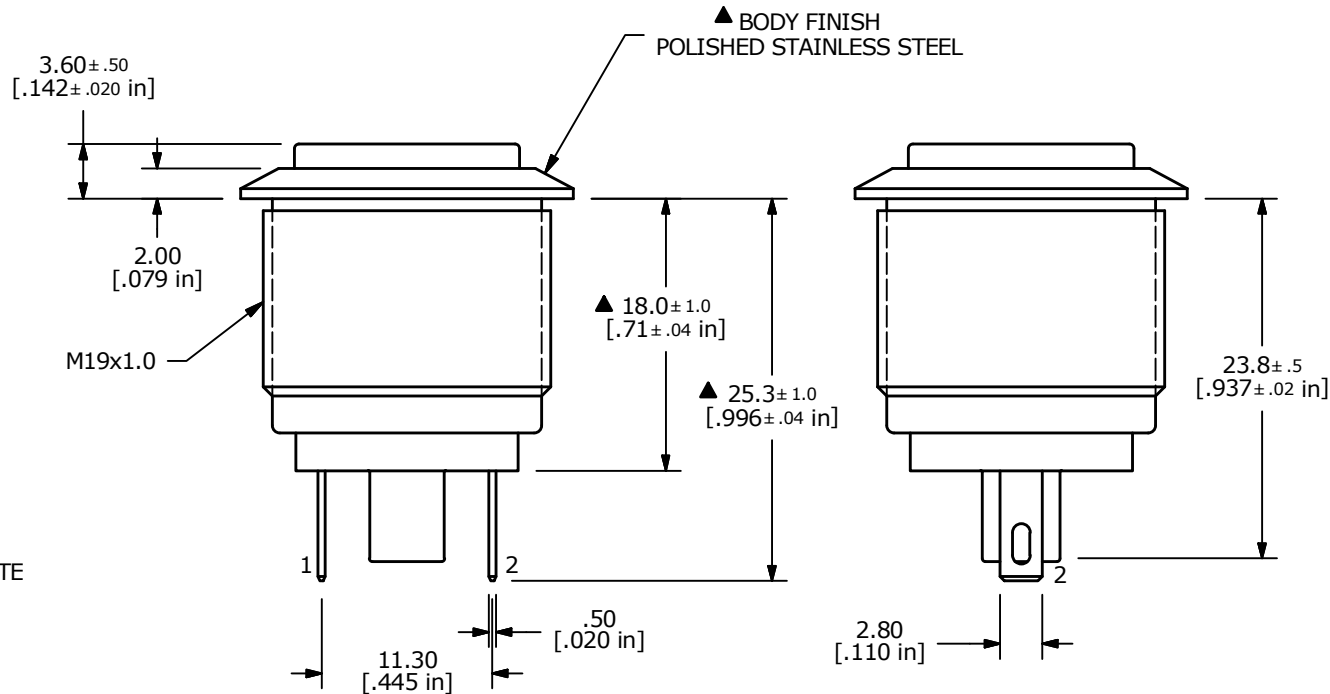


▲ SWITCH FUNCTION	
POS. 1	POS. 2
OFF	(ON)
OPEN	1-2

(ON) = MOMENTARY



- NOTE:
1. ALL DIMENSIONS IN MM [INCH]
 2. GENERAL TOLERANCE: X.X = ± 0.4
X.XX = ± 0.25
 3. TERMINAL NOS. FOR REF. ONLY
 4. RATING: 2A @ 36VDC
 5. CONTACT RESISTANCE: 50mΩ MAX. @ 1A 12VDC
 6. INSULATION RESISTANCE: 1,000MΩ @ 500VDC
 7. DIELECTRIC STRENGTH: 2,000VAC MIN. FOR 1 MINUTE
 8. ELECTRICAL LIFE: 200,000 CYCLES
 - ▲ 9. CONTACT MATERIAL: GOLD
 10. OPERATING TEMPERATURE: -20°C TO 55°C
 11. INGRESS PROTECTION: IP65
 12. ▲ DENOTES CRITICAL PARAMETER
 - ▲ 13. HARDWARE INCLUDED: HEX NUT AND O-RING (NOT SHOWN)



B	23591	UPDATED RATING TO 2A @ 36VDC	10/5/18	MJR
A	21927	RELEASE FOR PRODUCTION	7/24/15	MW
REV	PCR NO	DESCRIPTION	DATE	BY

TITLE PV1H240SSG				
SCALE	DATE	DR	DWG	REV
2:1	7/24/2015	MW	52-PV1H240SSG	B

THE INFORMATION CONTAINED IN THIS DOCUMENT IS PROPRIETARY
TO E-SWITCH AND IS NOT TO BE COPIED OR TRANSFERRED